

oneIP BY PULSEEIGHT

OneIP Transceiver



TECHNICAL SPECIFICATIONS

SKU: P8-ONEIP-1G-4K-TZ

HDMI Inputs: 1x HDMI® 2.0

HDMI Outputs: 1x HDMI 2.0

Audio Output: 1x Optical (TOSLINK)

Ethernet Cable: Cat5e or better

Ethernet Passthrough: Yes

IR Control: Bidirectional

HDMI-CEC Control: Yes - Full

Web Interface: Yes

Monitoring: Remote Monitoring Portal

Automatic EDID Management: Yes

Third Party Control: Yes - Drivers available

Network Connectivity: 2x 1GbE RJ45 (1x PoE+ Capable)

Encryption: HDCP 1.4, HDCP 2.2 and HDCP 2.3

Maximum Pixel Clock: 600Mhz

Maximum Bandwidth: 18Gbps

Maximum Video Resolution: 4K@60Hz 4:4:4 8bit

Data Rate: 850 Mbit/s (Best Quality)

Transfer Modes: Transceiver, Receiver or Transmitter Mode

Power Input: PoE+ or optional DC power supply

Local Power Rating: 12V 3.0A 50/60Hz

PoE+ Power Consumption: Max 30W @48VDC

Enclosure: Powder Coated Aluminium

Product Dimensions: 25cm x 15.5cm x 3cm

Product Weight: 0.6 kg

Operating Temp Range: 0 to +35°C (32 to +95°F)

Storage Temp Range: -20°C to 60°C (-4°F to 140°F)

Humidity Range: 5 to 90% RH (no condensation)

Safety & Emissions: UKCA, CE, FCC, RoHS

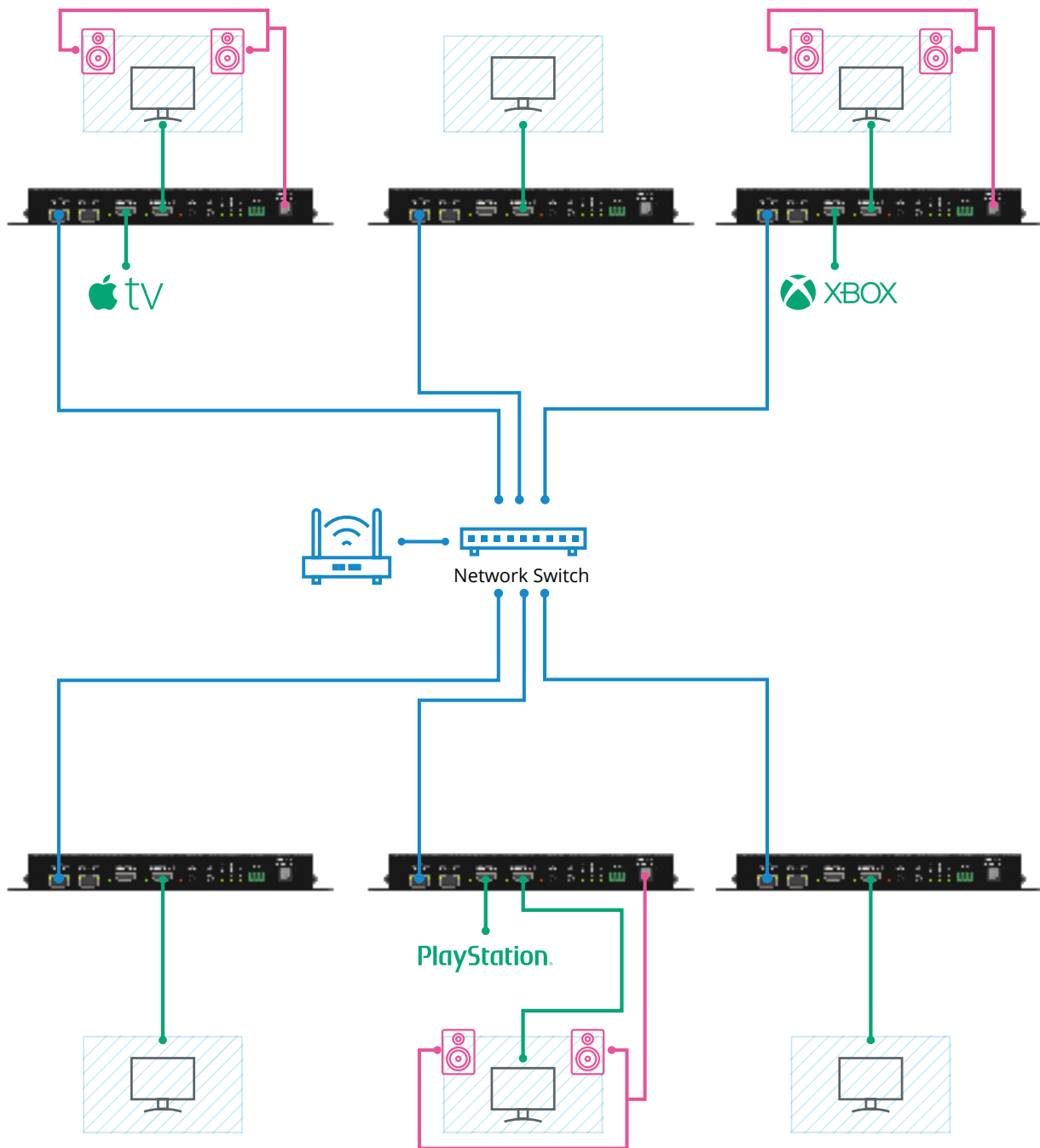
Manufactured In: Great Britain by Pulse-Eight

KIT INCLUDES

1x OneIP Transceiver | 1x Phoenix Connector
1x Quick Start Guide



CONCEPT WIRING DIAGRAM: OneIP Transceiver



LEGEND

- Infrared
- PoE+ Ethernet
- Digital Audio
- Ethernet
- Speaker
- HDMI

